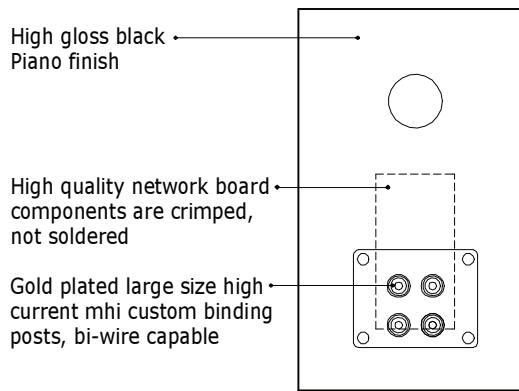
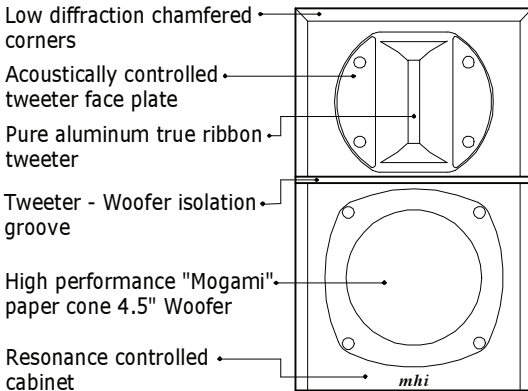


Dear Music Lover,

Thank you for purchasing **mhi Evidence**, a high performance and high quality speaker system. The unique features of this product provide Clear Imaging and Smooth, High Definition Sound. Each speaker incorporates a Wide Range, High Sensitivity Woofer (up to 10k Hz) and a Pure Aluminum True Ribbon Tweeter (up to 120k Hz) to produce true-to-life, accurate sound.

We are confident that once you listen to these speakers you will hear their strengths. The sound is our Evidence.

Musical Heart Monitor "Evidence"



Specifications

Tweeter - Pure aluminum ribbon
 Woofer - MOGAMI paper cone 4.5"
 Impedance ----- 4 ohm
 Frequency Range
 ----- 65Hz to 120,000Hz
 Sensitivity ---- 90 dB / 2.83V / m
 Max. Power ----- 75 W RMS.
 Crossover Frequency -- 10,000Hz
 Break-in period -- 50 to 100 hours
 Weight --- 4.0 kg (8.8 lbs.) each
 Dimensions ----- W x H x D
 152 x 247 x 231 mm
 6.0 x 9.7 x 9.1 inch
 (Includes binding post)

Improper Usage

Protect your investments from performance & appearance damage

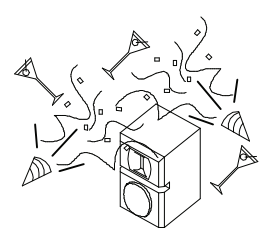
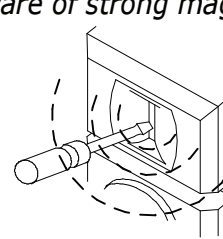
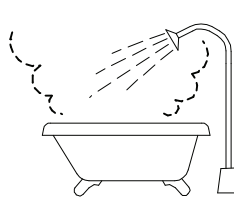
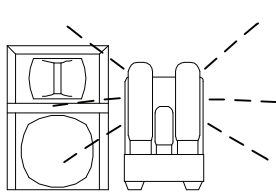
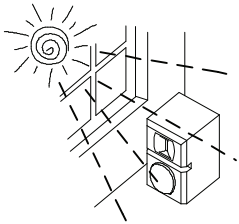
< Direct Sunlight >

< Excessive Heat >

< Moisture >

< Metal to the Tweeter >
 Be ware of strong magnets!

< Excessive Power >



Limited Warranty

Your mhi speakers are warranted to be free of defects for three (3) years after original purchase. If a speaker fails to perform during the warranty period, we will repair or replace it at our option. The warranty does not apply to damage caused by physical abuse to the speaker, or unauthorized modifications or repairs performed by anybody except mhi or its dealers, or designated service agents. This warranty specifically excludes consequential damage to other devices connected to a speaker. mhi is not responsible for any consequential damage.

If a speaker requires service, you may either consult your mhi dealer, or send it directly to mhi. If you chose to return it to mhi, please telephone first. If we can diagnose the problem by telephone, we may be able to tell you how to fix it without the inconvenience and expense of packing and shipping the speakers. Please do not send us your speakers until we give you a return authorization. You are responsible for the cost of shipping to mhi; if the product is still under warranty, we will return it to you at our expense. You can reach mhi service department at this address:

mhi
 1235 Countess Drive
 Corona, California 92882 USA
 Phone: 951-898-1121 / Fax: 951-898-5627 / e-mail: m_h_i@msn.com

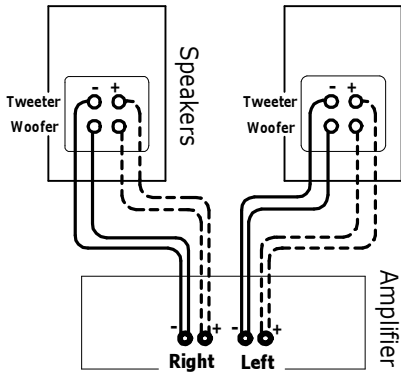
YOUR PRODUCTS' SERIAL #

Outside the United States and Canada, please contact your dealer first. Please use the original packing materials when you ship a speaker to us. If you did not save the original box, let us know when you request a return authorization, and we will send you another box. We will charge you for the replacement box at our cost.

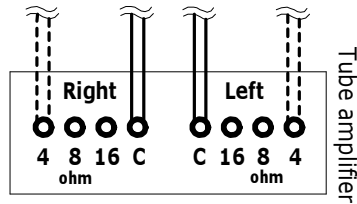
Connecting to your amplifier

< Recommendation >

Bi-wiring from the amplifier to the speakers

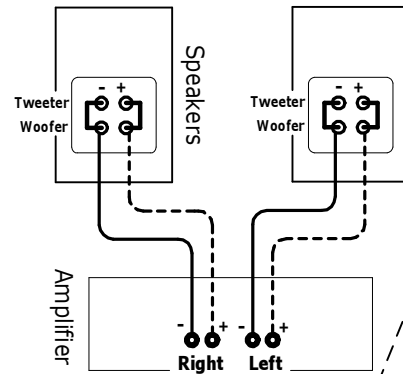


**If you use a tube amplifier and 4 ohm speaker terminals are available, connect to the 4 ohm tap.*



< Standard wiring >

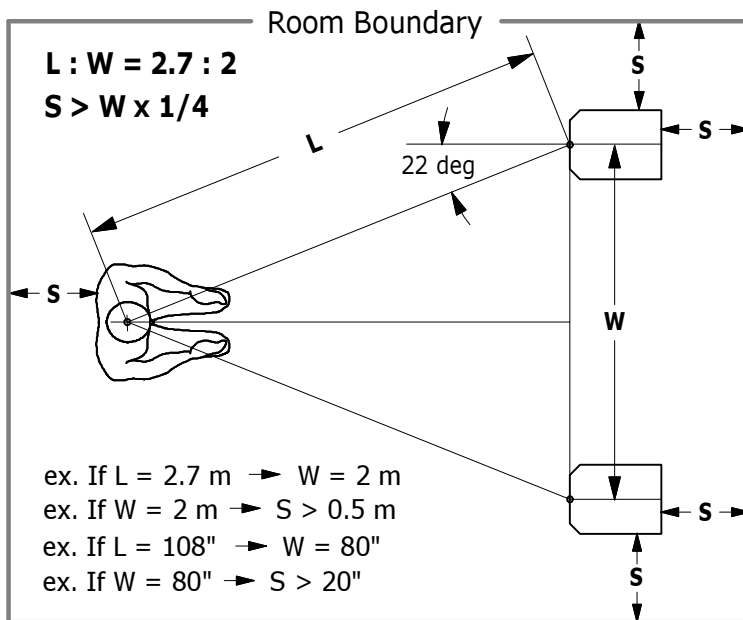
Use the short bars between Tweeter and Woofer terminals. *The bars are pre-mounted to the terminals.



Speaker Placement

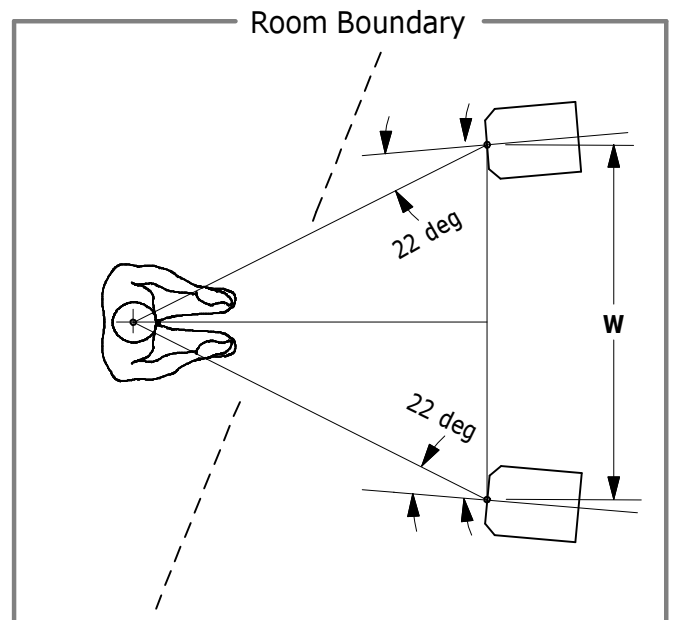
< Recommendation >

L: listener to speakers, W: Distance between speakers
S: Distance from wall



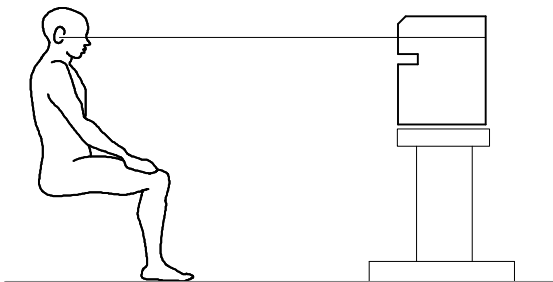
< Short distance to speakers >

When you can not sit far enough away from speakers, toe-in the speakers so that the speaker angle is 22 degree.



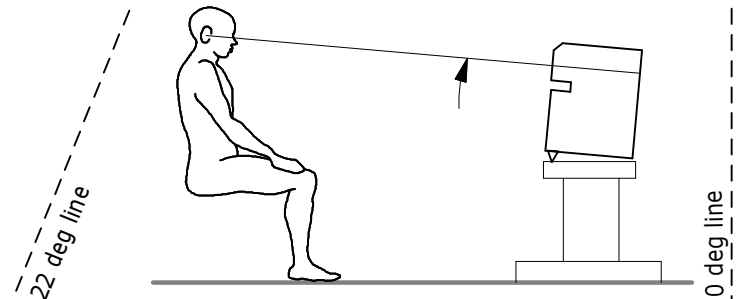
< Recommendation >

Raise the speaker so that the center of Tweeter is at the same height as the listener's ears.



< Lower Speaker Height >

The speakers should be angled so that the Tweeter faces vertically at the listener's ears.



** Please use the recommendations as a starting point and make minor adjustments to the height and position of the speaker and other objects in the room until you find the combination that sounds best for you.*