

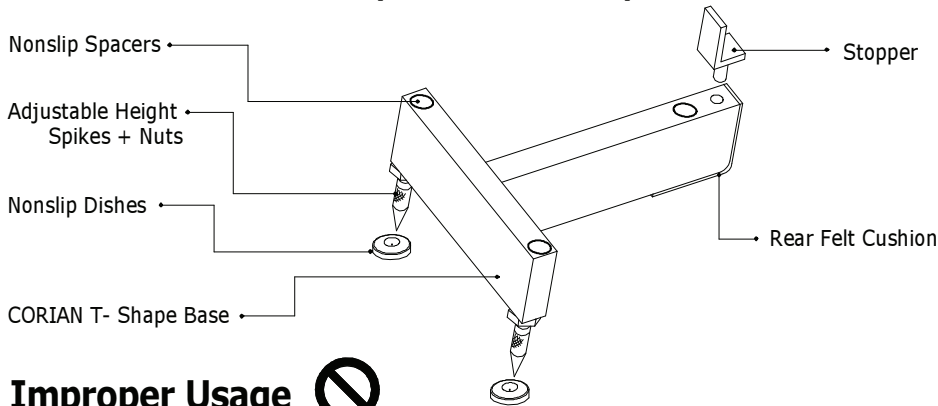
### Dear Music Lover,

Thank you for purchasing high performance and high quality **mhi** Desktop Speaker Bases. The unique features of this product provide Clear Imaging and Smooth High Definition Sound. The desktop speaker base incorporates adjustable height spikes to change angle of the speaker system. You are able to reduce reflection from desktop and to control direction of high frequency dispersion. These are the perfect matched desktop speaker bases for "Evidence MM01A" and any other small speaker systems.

We are confident that once you listen with these Desktop Speaker Bases you will hear the difference.

### Perfect Matched Desktop Speaker Base for "Evidence MM01A"

Made of DuPont "CORIAN" (man-made marble)



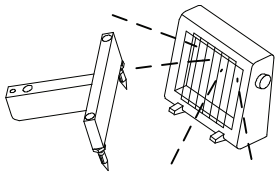
### Specifications

T Shape Base Section	
-- W 148 mm x D 203 mm x H 36 mm	
Adjustable Height Spikes	----- REF. 21mm to 36mm
Adjustable Angle	----- REF. 8 degrees to 12 degrees
Spike Pitch	----- 125mm
Material	----- DuPont "CORIAN" Cameo White, 1/2 inch
Weight	----- 0.3 kg ( 0.7 lbs. ) each

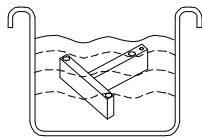
### Improper Usage

Protect your investments from performance & appearance damage

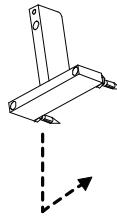
< Excessive Heat >



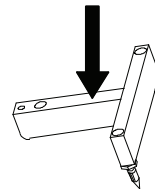
< Wash in/under the Water >



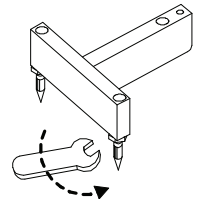
< Drop on the Floor >



< Excessive Weight >



< Use Tools for Spikes >



### Limited Warranty

Your mhi speaker bases are warranted to be free of defects for **thirty (30) days** after original purchase. If a speaker base fails to perform during the warranty period, we will repair or replace it at our option. The warranty does not apply to damage caused by physical abuse to the speaker base, or unauthorized modifications or repairs performed by anybody except mhi or its dealers, or designated service agents. This warranty specifically excludes consequential damage to other devices. mhi is not responsible for any consequential damage.

If a speaker base requires service, you may either consult your mhi dealer, or send it directly to mhi. If you chose to return it to mhi, please telephone first. If we can diagnose the problem by telephone, we may be able to tell you how to fix it without the inconvenience and expense of packing and shipping the speaker base. Please do not send us your speaker base until we give you a return authorization. You are responsible for the cost of shipping to mhi; if the product is still under warranty, we will return it to you at our expense. You can reach mhi service department at this address:

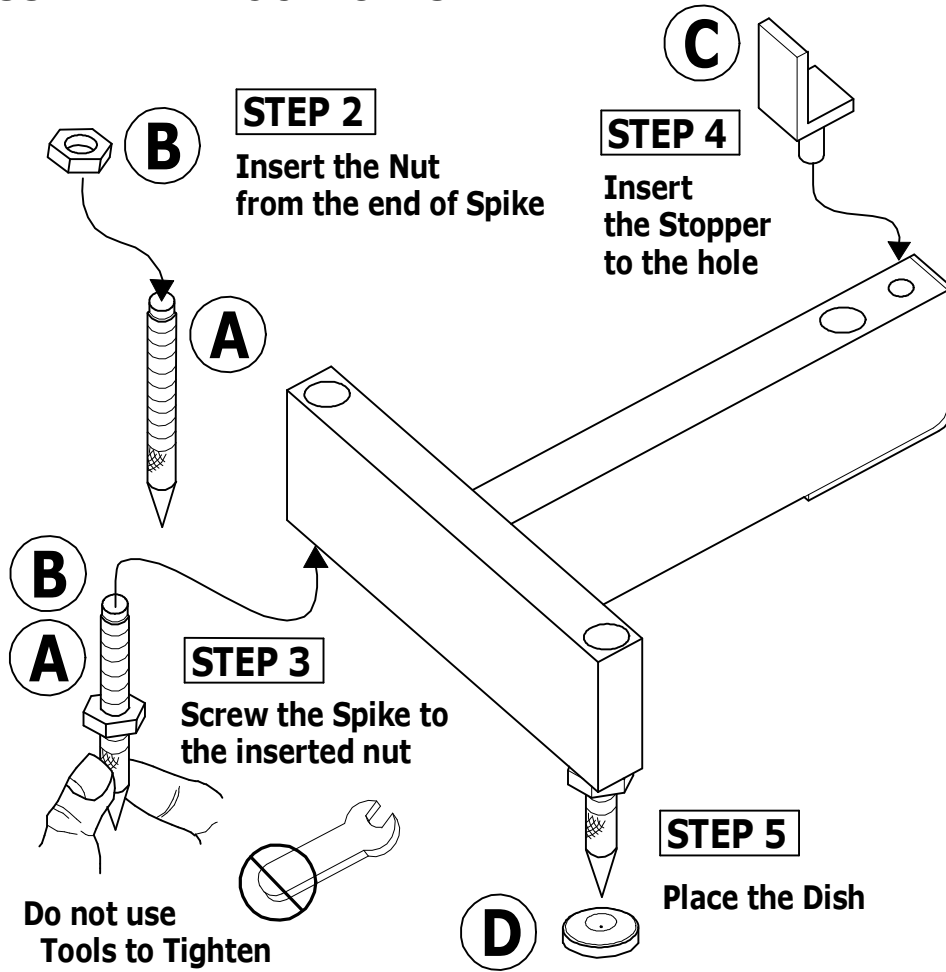
mhi  
1235 Countess Drive  
Corona, California 92882 USA  
Phone: 951-898-1121 / Fax: 951-898-5627 / e-mail: m\_h\_i\_@msn.com

YOUR PRODUCTS' SERIAL #

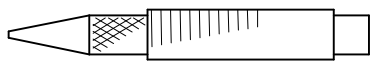

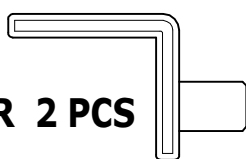
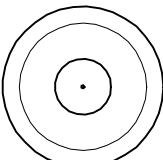
Outside the United States and Canada, please contact your dealer first.

Please use the original packing materials when you ship a product to us. If you did not save the original box, let us know when you request a return authorization, and we will send you another box. We will charge you for the replacement box at our cost.

# ASSEMBLY PROCEDURES



**STEP 1** Check All Parts  
SHOWED ACTUAL SIZE

- A**  SPIKE 4 PCS
- B**  NUT FOR SPIKE 4 PCS
- C**  STOPPER 2 PCS
- D**  DISH 4 PCS

## DIMENSIONS

